

QINGDAO HAIJU INDUSTRIAL CO.,LTD

NO.6 HONGKONG ROAD,QINGDAO,CHINA

TEL,86-13791935285 E-MAIL:Sale@qdhaiju.com

wheel and tracked skid steer loader specification

| 型号 配置 | JC30 | JC40 | JC45 | JC60 | JC65 | JC100 | JC120 | TS50 | TS65 | TS100 | TS120 | JC35D | JC50D |
|---|-----------|--------|---------|---------|---------|---------|---------|----------|--------|--------|---------|---------|---------|
| 性能参数 | | | | | | | | | | | | | |
| 额定载重 Operating load (kg) | 300 | 500 | 700 | 850 | 1050 | 1100 | 1200 | 700 | 1000 | 1200 | 1500 | 500 | 850 |
| 最大行驶速度 Max Speed (km/h) | 9 | 10 | 12 | 12 | 12 | 9\18 | 9\18 | 10 | 12 | 9\18 | 9\18 | 6 | 6 |
| 液压流量 Rated flux (L/min) | 50 | 60 | 62.5 | 75 | 75 | 75 | 75 | 60 | 80 | 88 | 88 | 60 | 75 |
| 大流量系统流量 High Flow Flux (L/min) | / | / | / | / | 120 | 140 | 140 | / | 120 | 140 | 140 | / | / |
| 轮胎型号 Tire (track) model | 23×8.5-15 | 8.5-15 | 10-16.5 | 12-16.5 | 12-16.5 | 12-16.5 | 12-16.5 | 300X52.5 | 320X86 | 320X86 | 450 X86 | 28*9-15 | 28*9-15 |
| 额定功率 Rated power (Kw) | 18.4 | 37 | 37 | 45 | 55 | 74 | 103 | 36 | 55 | 74 | 103 | 37 | 45 |
| 燃油箱容量 Fuel tank capacity (L) | 25 | 60 | 70 | 80 | 75 | 90 | 90 | 50 | 90 | 90 | 90 | 60 | 80 |
| 操作重量 self weight bucket (kg) | 1500 | 2300 | 2700 | 2800 | 3500 | 3550 | 3600 | 2800 | 3800 | 4500 | 4800 | 2300 | 2800 |
| 铲斗容积 Bucket capacity (m³) | 0.2 | 0.3 | 0.4 | 0.4 | 0.5 | 0.55 | 0.55 | 0.3 | 0.5 | 0.55 | 0.6 | 0.3 | 0.4 |
| 尺寸参数 | | | | | | | | | | | | | |
| A. 最大操作高度 Overall operating height (mm) | 3590 | 3300 | 3980 | 4000 | 4070 | 4070 | 4070 | 3350 | 3480 | 4070 | 4070 | 3310 | 3770 |
| B. 铲斗铰高度 Height to bucket hinge pin (mm) | 2650 | 2725 | 3080 | 3100 | 3280 | 3280 | 3280 | 2770 | 2900 | 3280 | 3280 | 2320 | 2810 |
| C. 驾驶室顶高度 Hheight to top of cab (mm) | 2050 | 2000 | 2140 | 2160 | 2160 | 2160 | 2160 | 2050 | 2150 | 2160 | 2160 | 1500 | 1600 |
| D. 铲斗知其底部的最大高度 Height to bottom of level bucket(mm) | 2470 | 2558 | 2913 | 2933 | 3140 | 3140 | 3140 | 2603 | 2730 | 3140 | 3140 | 2160 | 2643 |
| E. 不带铲斗总长 Without bucket length (mm) | 2430 | 2300 | 2640 | 2750 | 2880 | 2880 | 2880 | 2300 | 2750 | 3000 | 3000 | 2400 | 2800 |
| F. 带铲斗总长 Overall length with bucket(mm) | 3170 | 2950 | 3420 | 3490 | 3580 | 3580 | 3580 | 2950 | 3500 | 3700 | 3700 | 3150 | 3490 |
| G. 最大高度卸载角度 Dumping angle at maximum height(°) | 40 | 40 | 40 | 40 | 40 | 40 | 40 | 40 | 40 | 40 | 40 | 40 | 40 |
| H. 卸料高度 Dumping height(mm) | 1920 | 2050 | 2380 | 2400 | 2500 | 2500 | 2500 | 2100 | 2230 | 2500 | 2500 | 1550 | 2080 |
| I. 卸载距离 Dumping reach(mm) | 720 | 790 | 700 | 750 | 700 | 700 | 700 | 790 | 715 | 700 | 700 | 660 | 700 |
| J. 铲斗在地面的反转角度 Rollback o bucket on ground(°) | 30 | 30 | 30 | 30 | 30 | 30 | 30 | 30 | 30 | 30 | 30 | 30 | 30 |
| K. 铲斗在最高时翻转变角度 Rollback of bucket at full height(°) | 104 | 104 | 104 | 104 | 104 | 104 | 104 | 104 | 104 | 104 | 104 | 104 | 104 |
| L. 轴距 Wheelbase(mm) | 801 | 897 | 991 | 991 | 1080 | 1115 | 1115 | 1240 | 1500 | 1500 | 1500 | 897 | 991 |
| M. 离地间隙 Ground clearance(mm) | 180 | 140 | 185 | 205 | 205 | 205 | 205 | 140 | 200 | 200 | 200 | 150 | 205 |
| N. 离去角 Angle of departure(°) | 20 | 20 | 20 | 20 | 20 | 20 | 20 | 20 | 20 | 20 | 20 | 20 | 20 |
| O. 不带铲斗时转弯半径 Front turning radius without bucket(mm) | 971 | 1098 | 1168 | 1198 | 1250 | 1278 | 1278 | 1064 | 1298 | 1365 | 1365 | 1098 | 1228 |
| P. 前转弯半径 Front tuning radius(mm) | 1681 | 1760 | 1958 | 1958 | 2112 | 2144 | 2144 | 1825 | 2010 | 2200 | 2200 | 1760 | 2010 |
| Q. 后转弯半径 Rear tuning radius(mm) | 1371 | 1296 | 1630 | 1728 | 1774 | 1857 | 1857 | 1264 | 1714 | 1742 | 1742 | 1296 | 1746 |
| R. 尾部长度 Rear axle to bumper (mm) | 940 | 964 | 1108 | 1208 | 1082 | 1082 | 1082 | 594 | 890 | 938 | 938 | 964 | 1208 |
| S. 轮距 (标准轮胎) Tread width (mm) | 882 | 1080 | 1450 | 1500 | 1500 | 1500 | 1500 | 1102 | 1462 | 1654 | 1654 | 1080 | 1450 |
| T. 车宽 (标准轮胎) Width (mm) | 1110 | 1350 | 1720 | 1880 | 1880 | 1880 | 1880 | 1402 | 1782 | 1994 | 2124 | 1380 | 1720 |
| U. 带标准铲斗宽度 Bucket width (mm) | 1150 | 1400 | 1740 | 1880 | 1880 | 1880 | 1880 | 1500 | 1830 | 2030 | 2160 | 1400 | 1740 |



QINGDAO HAIJU INDUSTRIAL CO.,LTD

NO.6 HONGKONG ROAD,QINGDAO,CHINA
TEL,86-13791935285 E-MAIL:Sale@qdhaiju.com

Mini tracked skid steer loader HJ618T specification (wheel type HJ618W)

| MODEL 项 目 | HJ618T (rubber tracked) HJ618W (wheel type) |
|---|--|
| H2 Maximum pin shaft height (最大销轴高度) | 1942mm |
| H3 Maximum pin shaft height (最大举高高度) | 2200mm |
| Q3 Maximum discharge angle (最大卸料角度) | 30° |
| Q2 Bucket take back angle (收 斗角度) | 26° |
| departure angle(离去角) | 10° |
| H Max height (总高度) | 1370mm |
| H1 ground clearance (离地距 离) | 140mm |
| L1 Wheel base (轴距) | 600mm |
| L3 Length without bucket (无 铲斗长度) | 1750mm |
| B2 Max width (总宽度) | 760mm |
| B1 Bucket width (斗宽) | 740-800mm (adjustable) |
| L Max Length(总长度) | 2170mm |

| | |
|--|---------------------------------|
| Engine (发动机) :Original briggs & stratton | |
| Rated power(额定功率) | USA B.S Gasoline 10.5KW(13.5HP) |
| Emission standard | EPA4 tier/Euro V tier |
| Noise(噪音) | ≤95Db |
| Hydraulic system (液压系统) | |
| Pressure(压力) | 17Mpa |
| Working time 工作时间 | |
| Lifting(举升) | 5.6s |
| tipping bucket (翻斗) | 3s |
| Down (下降) | 3.6s |
| Bucket capacity(额定装载量) | 100-150Kg |
| Bucket volume(铲斗容积) | 0.07m ³ |
| Max lifting force(最大举升 力) | 215Kg |
| Speed rate(行驶速度) | 0-6Km/h |
| Operaring weight(操作质量) | 660Kg |
| Tire size (轮胎型号) | 5.00-8 or rubber tracked |

QINGDAO HAIJU INDUSTRIAL CO.,LTD

NO.6 HONGKONG ROAD,QINGDAO,CHINA

TEL,86-13791935285 E-MAIL:Sale@qdhaiju.com

Mini tracked skid steer loader HJ618T pictures



QINGDAO HAIJU INDUSTRIAL CO.,LTD

NO.6 HONGKONG ROAD,QINGDAO,CHINA
TEL,86-13791935285 E-MAIL:Sale@qdhaiju.com

Mini tracked skid steer loader HJ628T specification(wheel type HJ628W)

| | |
|--|---|
| Item | HJ628T (Rubber Track) HJ628W (wheel type) |
| Max working height (A) | 2452 mm |
| Max pin height (B) | 1914 mm |
| Max dump height (C) | 1515 mm |
| The highest point discharge distance (D) | 612mm |
| Bucket swing angle (β) | 55° |
| Bucket unloading angle (γ) | 33° |
| Opening-closing angle (θ) | 26° |
| Angle of departure (α) | 25° |
| Total height (H) | 1370 mm |
| The height from the ground (F) | 92mm |
| Wheelbase (G) | 720mm |
| No bucket length (J) | 1740mm |
| Total width (W) | 830 mm |
| Bucket width (K) | 840 mm |
| Total length (L) (with bucket) | 2170 mm |
| Turning radius (R) | 1230 mm |

| | | | | |
|------------------|--------------------------|---------------------|------|-------|
| Model | | HJ628T/HJ628W | | |
| Engine | Rated power (KW) | 17.15KW(23HP) | | |
| | Rotating speed (rpm) | 3600 | | |
| Noise (Db) | | ≤95 | | |
| Hydraulic System | Hydraulic pressure (Mpa) | 17 | | |
| | Cycle time (s) | Raise | Dump | Lower |
| | | 4.27 | 1.34 | 3.31 |
| Operating weight | Load weight (kg) | 200 Kg | | |
| | Bucket capacity | 0.15 m ³ | | |
| | Max lifting power | 375 Kg | | |
| | speed | 0-6 Km/h | | |
| | Track tire | 990kg | | |

QINGDAO HAIJU INDUSTRIAL CO.,LTD

NO.6 HONGKONG ROAD,QINGDAO,CHINA

TEL,86-13791935285 E-MAIL:Sale@qdhaiju.com

Mini tracked skid steer loader HJ628T pictures(wheel type HJ628W)



QINGDAO HAIJU INDUSTRIAL CO.,LTD

NO.6 HONGKONG ROAD,QINGDAO,CHINA

TEL,86-13791935285 E-MAIL:Sale@qdhaiju.com

Mini tracked skid steer loader HJ648T specification(wheel type HJ648W)

| Item | HJ648T (Tracked type) HJ648W (Wheel type) |
|-------------------------------------|--|
| Machine weight | 1330kgs |
| Bucket capacity | 400kg-500kg |
| Bucket volume | 0.2CBM |
| Total length (L) (with bucket) | 2700mm |
| Total length (L) (without bucket) | 2070 mm |
| Total width (W) | 1060mm |
| Wheelbase (G) | 760mm |
| Total height (H) | 1500mm |
| Operating height | 2580mm |
| Height to bucket pin | 1900 mm |
| The height from the ground | 160mm |
| Dump height | 1800mm |
| Angle of departure | 23° |
| Tire size | 12.3x8.50-12 |
| Diesel Engine | Kubota/Perkins 403D diesel |
| Engine power | 18.4kw (25hp) |
| Number of cylinder | 3 |
| speed | 2600RPM |
| Displacement | 1.496L |
| Working system pressure | 180 bar |
| Electric voltage | 12V |
| Working system flow rate | 40L/m |
| Diesel oil tank | 40L |
| Hydraulic oil tank | 36L |
| Driving system pressure | 250 bar |
| Driving system flow rate | 65L/m |
| Driving speed | 0-8km/h |

QINGDAO HAIJU INDUSTRIAL CO.,LTD

NO.6 HONGKONG ROAD,QINGDAO,CHINA

TEL,86-13791935285 E-MAIL:Sale@qdhaiju.com

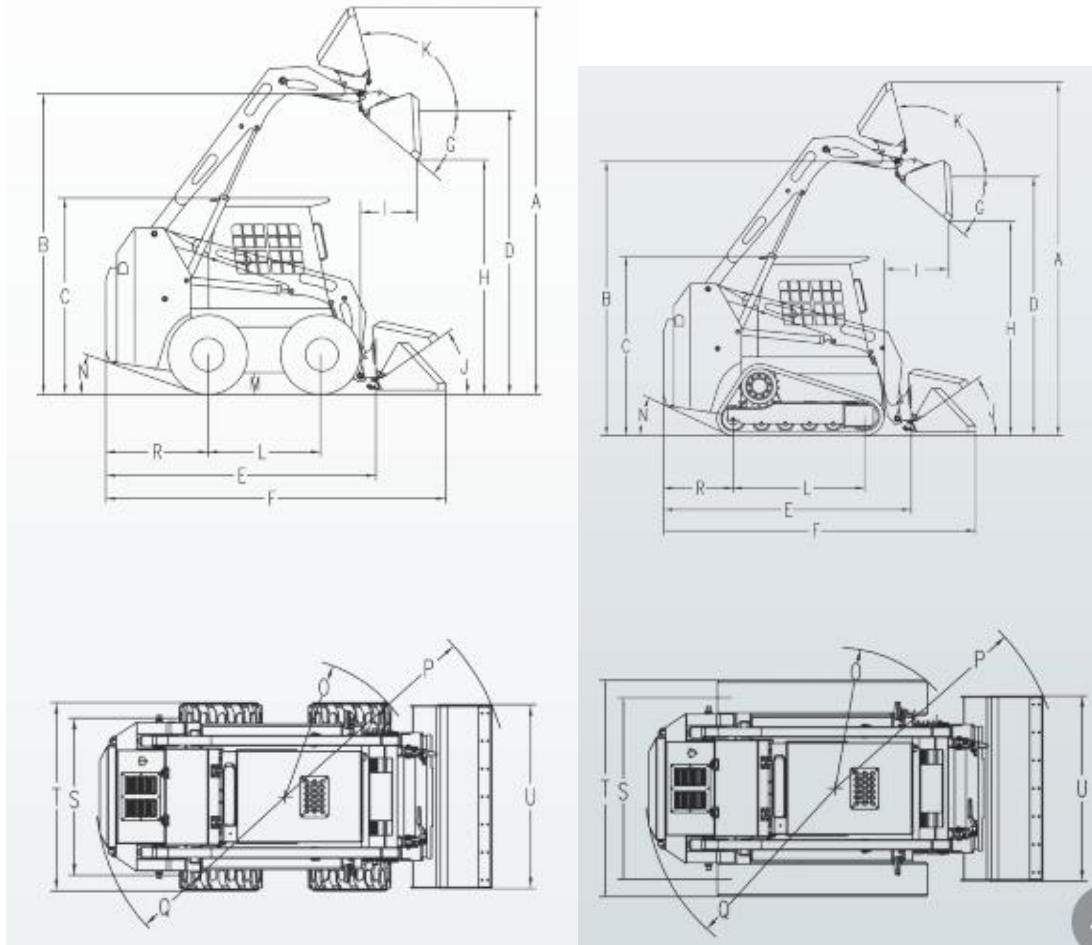
Mini tracked skid steer loader HJ648T pictures(wheel type HJ648W)



QINGDAO HAIJU INDUSTRIAL CO.,LTD

NO.6 HONGKONG ROAD,QINGDAO,CHINA

TEL,86-13791935285 E-MAIL:Sale@qdhaiju.com



JC30/25



QINGDAO HAIJU INDUSTRIAL CO.,LTD

NO.6 HONGKONG ROAD,QINGDAO,CHINA

TEL,86-13791935285 E-MAIL:Sale@qdhaiju.com

JC40/35



JC45



JC60



QINGDAO HAIJU INDUSTRIAL CO.,LTD

NO.6 HONGKONG ROAD,QINGDAO,CHINA

TEL,86-13791935285 E-MAIL:Sale@qdhaiju.com

JC65



JC75



JC100



QINGDAO HAIJU INDUSTRIAL CO.,LTD

NO.6 HONGKONG ROAD,QINGDAO,CHINA

TEL,86-13791935285 E-MAIL:Sale@qdhaiju.com

TS50



TS65



TS100



QINGDAO HAIJU INDUSTRIAL CO.,LTD

NO.6 HONGKONG ROAD,QINGDAO,CHINA

TEL,86-13791935285 E-MAIL:Sale@qdhaiju.com

Accessories



封闭清扫机 / 边角刷
Sweeper/Gutter Brush



喷淋水箱套件
Water Kit



前进式封闭清扫机
Advancing Sweeper



破碎锤
Breaker



铣刨机
Planer



路面切割锯
Road Cutting Saw



盘式开沟机 (轮盘锯)
Wheel Saw



护栏清扫机
Guardrail Cleaner



吹风机
Blower



护栏平移机
Guardrail translation machine



稳定土拌合机
Stabilized soil mixer



斜角清扫机
Angle Broom



电控斜角清扫器
Electric Control Angle Broom



抛雪机
Snow Blower



高抛筒
High throwing snow tube



除冰器
Scraper



推雪板
Snow Blade



铲雪斗
Snow Bucket



V型推雪板
Snow V-Blade



震动破冰器
Drum ice machine



撒布器
Spreader



钻孔机
Auger



钻头
Bit



移树机
Tree Spade



碎木机
Chipper



土壤调节器
Soil Conditioner



树桩铲
Stump Bucket



开沟机
Trencher



园林整地耙
Landscape Rake



筛石机
Stone screening machine



双开沟机
Double Trencher



筛铲
Rock Bucket



六向推土板
Dozer Blade



推土板
Dozer Blade



沟底压实器
Ditch Compactor

QINGDAO HAIJU INDUSTRIAL CO.,LTD

NO.6 HONGKONG ROAD,QINGDAO,CHINA

TEL,86-13791935285 E-MAIL:Sale@qdhaiju.com



草坪摊铺机
Lawn paver



井盖铣削机
Manhole Cover Milling Machine



液压夯
Plate Compactor



落地锤
Floor hammer



液压剪
Hydraulic shear



绿篱机
Hedge Trimmer



多功能割灌机
Multi-Function



卧床松土器
Cattle in bed Ripper



箱式推板
Dung pushing device



简易推粪机
Simple manure pushing machine



软包夹
Soft Clamp



夹包叉
Fork Clamp



草垛开垦机
Haystack Reclamation Machine



肥料叉
Utility Fork



串杆
Bale Fork



简易开沟器
Digger



树桩打磨机
Stump Grinder



后置松土器
Ripper



播种机
Seeder



抓草斗
Grapple Rake



重型抓草叉
Heavy Grass Fork



抓木斗
Grapple Bucket



割草机
Brush Cutter



三刀割草机
Mower



割灌机
Brush Cutter



锯树机
Tree Saw



高速锯树机
High speed tree saw



拓荒机
Forest Mulcher



旋耕机
Soil Tiller



胎外链
Steel Tracks



轮胎保护链
Tyre protection chain



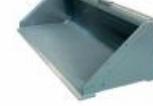
橡胶胎外链
Rubber track outside tire



平地器
Land Plane



夹树机
Tree Puller



铲斗
Standard Bucket

QINGDAO HAIJU INDUSTRIAL CO.,LTD

NO.6 HONGKONG ROAD,QINGDAO,CHINA

TEL,86-13791935285 E-MAIL:Sale@qdhaiju.com



弧形铲斗
Curved bucket



组合铲
4 in 1 Bucket



带盖铲斗
Closed Bucket



侧卸铲斗
Side dump bucket



叉铲
Pallet Fork



侧移叉铲
Side Shift Pallet Fork



平板夹
Flat clamp



筛抓
Rock Bucket Grapple



振动压路机
Vibratory Roller



平地机
Grader



搅拌机
Mixer



铲斗搅拌机
Bucket Mixer



挖掘臂
Backhoe Arm



回转挖掘臂
Swing Backhoe Arm



挖掘机
Backhoe



高卸料铲斗
High Dump Bucket



液压绞车
Hydraulic winch



旋转挂架
Tilt-TatchTM



自动快换挂架
Automatic quick change rack



吊具
Sling



地坪打磨机
Floor Grinder



打桩机
Pile Driver



后支撑装置
Rear Support



多节吊装机
Multi section crane



沙滩清理机
Beach cleaner